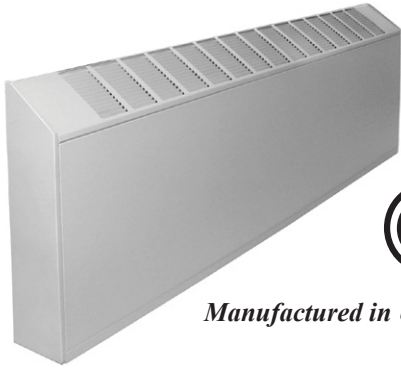


# 8500 Series Commercial Slope Top Wall Convectors



Manufactured in U.S.A.

- Front In/Top Out or Bottom In/Top Out air pattern.
- 16 Gauge steel housing powder coated with beige finish.
- Tubular pre-wired wireway with 40 Amp capacity.
- Connection boxes for right or left hand wiring with combination 1/2" - 3/4" knockouts at back and bottom.
- Stainless steel element with aluminum fins.
- Linear limit type thermal overload with automatic reset.
- Limited by max amp draw of 25 Amps (with no controls).

## HOW TO DESIGNATE A MODEL:

85	2	5	125	H	B	DST1
Series Number	Cabinet Size 3=20"H x 5"D 2=14"H x 5"D 1=10"H x 3"D	Unit Length (feet) 2, 3, 4, 5, 6, 7, 8, 9, 0 (enter 0 for 10')	Watts per Foot Selectable in 1 watt increments up to max per model series 8510=250 max 8520=500 max 8530=750 max	Voltage E=120V F=208V G=277V H=240V	Air Flow B=Bottom in F=Front in	Factory Installed Options blank=none T1 or T2=Thermostat R1, R2, or R9=Relay DS=Disconnect (see control option chart)
Step 1	Step 2	Step 3	Step 4	Step 5	Step 6	Step 7

- Pencil proof louver design.
  - Custom colors available, consult factory.
- Note: Not for residential applications.

## Standard Models

HEATER LENGTH	WATTS per FOOT	8510 SERIES		8520 SERIES		8530 SERIES	
		3" Depth x 10" Height Max watts per foot = 250		5" Depth x 14" Height Max watts per foot = 500		5" Depth x 20" Height Max watts per foot = 750	
		MODEL	LIST	MODEL	LIST	MODEL	LIST
2'	100-250	8512	477	8522	523	8532	637
	333-750		N/A		579		700
3'	100-250	8513	548	8523	603	8533	728
	333-750		N/A		663		801
4'	100-250	8514	632	8524	697	8534	839
	333-750		N/A		758		926
5'	100-250	8515	697	8525	765	8535	926
	333-750		N/A		840		1018
6'	100-250	8516	763	8526	838	8536	1018
	333-750		N/A		925		1118
7'	100-250	8517	838	8527	924	8537	1118
	333-750		N/A		1016		1231
8'	100-250	8518	924	8528	1016	8538	1231
	333-750		N/A		1118		1354
9'	100-250	8519	1016	8529	1118	8539	1354
	333-750		N/A		1230		1486
10'	100-250	8510	1118	8520	1230	8530	1486
	333-750		N/A		1351		1634

# 8500 Series Commercial Slope Top Wall Convector

## Product Specifications

### CABINET:

Rugged 16 Gauge front cover with discharge louvers in sloped top design. Pencil proof louver design for sloped outlet and front inlet grill. The finish shall be durable powder coated paint. Air flow available as bottom in - top out, or front in - top out.

### ELEMENT:

All steel high mass element construction with Nickel-Chromium resistance wire embedded in compacted efficient dielectric to ensure proper heat transfer. Aluminum fins mechanically bonded to steel tube allows for increased surface area and even heat transfer.

### LIMIT CONTROLS:

Automatic reset hydraulic thermal overload covers full length of heating element and shuts down heater when safe operating temperatures are exceeded.

### WIRING:

Connection boxes in either end with 1/2 inch to 3/4 inch knockouts at back and bottom. Tubular prewired wire way with 40 Amp capacity.

### CONTROLS:

Optional built in tamper resistant thermostat and disconnect is adjustable through top outlet louver.

### MOUNTING:

Heater shall be surface mounted to wall or mullion. Bottom inlet units must be mounted a minimum of 4 inches above finished floor front inlet.

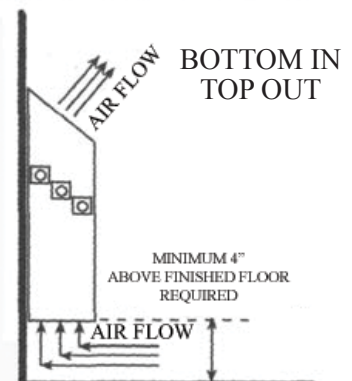
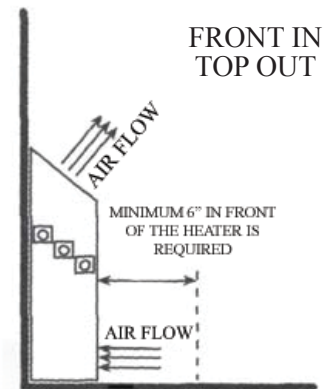
### In-Built Control Options

SUFFIX	DESCRIPTION	LIST
T1	In-Built Tamper Proof, Single Pole, Hydraulic Thermostat - 50°-90°F temp. range, 25 Amp	94
T2	In-Built Tamper Proof, Double Pole, Hydraulic Thermostat - 50°-90°F temp. range, 25 Amp	122
DS	Double Pole Disconnect Switch, 20 Amp	138

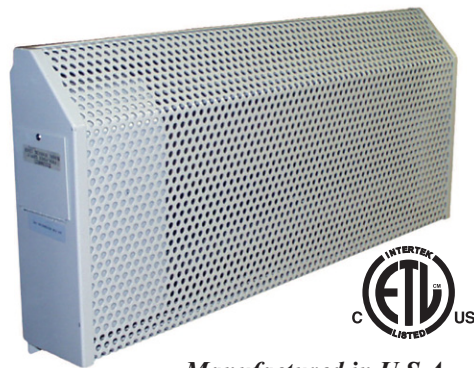
Note: Due to size limitations, 8510 series convectors can only have thermostats as In-Built control options.

SUFFIX	DESCRIPTION	LIST
R1	DPST Relay, 30 Amps, up to 277V, 120V coil	134
R2	SPST Relay, 18 Amps @ 277V (max), 24V coil	134
R9	24V Transformer and SPST Relay, 22 Amps @ 240V, 18 Amps @ 277V (max), 24V coil (cannot be used in conjunction with T2 option)	147

### Mouting/Air Flow Options



# 8800 Series Institutional Wall Convectors



Manufactured in U.S.A.

- Single phase heaters available in all common voltages from 120V to 600V.
  - 11 Gauge perforated steel housing powder coated with textured ivory finish.
  - Tamper proof left side control panel houses built-in single pole thermostat - range 50°F-90°F and disconnect switch. Thermostat on 120V-277V units is line voltage and low voltage (24V) on 346V-600V units.
  - Linear limit type thermal overload with automatic reset.
  - Tamper proof fasteners
  - Stainless steel element with Aluminum fins.
- Note: Not for residential applications.

## Standard Models

UPC# 686334	MODEL	WATTS	BTU'S	VOLTS	AMPS	LENGTH (IN.)	LIST
899000	E8801050	500	1706	120	4.167	18	2160
899062	F8801050			208	2.404		
899123	H8801050			240	2.083		
899185	G8801050			277	1.805		
899246	L8801050			346	1.445		
899307	P8801050			480	1.042		
899369	U8801050			600	0.833		
899017	E8802075			750	2560		
899079	F8802075	208	3.606				
899130	H8802075	240	3.125				
899192	G8802075	277	2.708				
899253	L8802075	346	2.168				
899314	P8802075	480	1.563				
899376	U8802075	600	1.25				
899024	E8803100	1000	3413			120	8.333
899086	F8803100			208	4.808		
899147	H8803100			240	4.167		
899208	G8803100			277	3.610		
899260	L8803100			346	2.890		
899321	P8803100			480	2.083		
899383	U8803100			600	1.667		
899031	E8804125			1250	4266	120	10.417
899093	F8804125	208	6.010				
899154	H8804125	240	5.208				
899215	G8804125	277	4.513				
899277	L8804125	346	3.613				
899338	P8804125	480	2.604				
899390	U8804125	600	2.083				
899048	E8805150	1500	5120			120	12.5
899109	F8805150			208	7.212		
899161	H8805150			240	6.25		
899222	G8805150			277	5.415		
899284	L8805150			346	4.335		
899345	P8805150			480	3.125		
899406	U8805150			600	2.5		
899055	E8806200			2000	6826	120	16.667
899116	F8806200	208	9.615				
899178	H8806200	240	8.333				
899239	G8806200	277	7.220				
899291	L8806200	346	5.780				
899352	P8806200	480	4.167				
899413	U8806200	600	3.333				

# 8800 Series Institutional Wall Convector

## Product Specifications

### CABINET:

Institutional enclosure 11 Gauge perforated steel with sloped top design. Heavy duty end caps welded to the enclosure. Control compartment for housing thermostat and disconnect switch is accessible by use of security type fastener. The entire enclosure is protected by epoxy powder coated paint finish.

### ELEMENT:

All steel high mass element construction with Nickel-Chromium resistance wire embedded in compacted efficient dielectric to ensure proper heat transfer. Aluminum fins mechanically bonded to steel tube allows for increased surface area and even heat transfer.

### LIMIT CONTROLS:

Automatic reset hydraulic thermal overload covers full length of heating element and shuts down heater when safe operating temperatures are exceeded.

### WIRING:

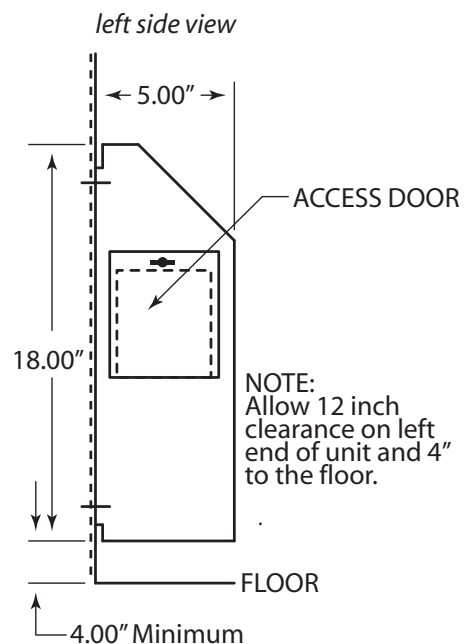
Wiring connections shall be made in left end of cabinet enclosure. Wiring must enter into control enclosure behind perforated steel grill.

### CONTROLS:

All controls are accessible only through control enclosure door. Security type fasteners restrict access to controls. Built in thermostat and disconnect switch with manual adjustment are located in control enclosure.

#### HOW TO DESIGNATE A MODEL:

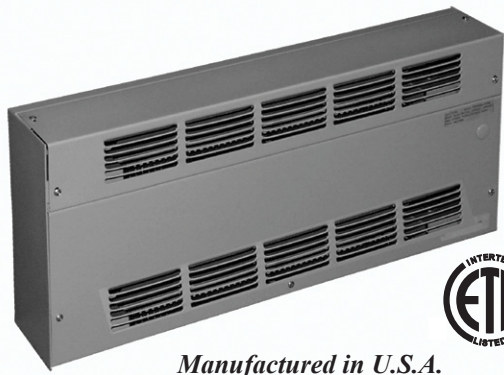
<b>H</b>	<b>880</b>	<b>3</b>	<b>100</b>
Element Voltage E=120 F=208 G=277 H=240 L=346 P=480 U=600	Series Number	Unit Length 1=18" 2=28" 3=36" 4=48" 5=60" 6=72"	Unit Wattage 050=500 075=750 100=1000 125=1250 150=1500 200=2000



#### Optional In-Built Controls

SUFFIX	DESCRIPTION	LIST
T2	Double pole In-Built thermostat range 50°-90°F, 25 Amp	124
24V	24 Volt In-Built single pole thermostat for 120V 208V, 240V & 277V models.	150

# 4100 Series Recessed Commercial Wall Convectors



Manufactured in U.S.A.

- Front In / Front Out air pattern
- 16 Gauge steel housing powder coated with textured beige finish.
- Tubular pre-wired wireway with 40 Amp capacity.
- Connection boxes for right or left hand wiring with combination 1/2"-3/4" knockouts at back and bottom.
- Steel heating element with steel fins.
- Linear limit thermal overload with automatic reset.

## HOW TO DESIGNATE A MODEL:

<b>M41</b>	<b>25</b>	<b>F</b>	<b>48</b>	<b>1000</b>	<b>T</b>
<u>Series Number</u>	<u>Cabinet Size</u> 45=20"H x 5"D 25=11"H x 4"D	<u>Voltage/Phase</u> G=277V, 1 Phase F=208V, 1 Phase J=208V, 3 Phase H=240V, 1 Phase K=240V, 3 Phase	<u>Unit Length (Inches)</u> 24, 36, 48, 60, or 72	<u>Total Wattage</u>	<u>Control Option</u> Blank=None R, R2, or R9=Relay T or T2=Thermostat (See control option chart)

- Recess trim frame included.
  - Custom colors available, consult factory.
- Note: Not for residential applications.

### M4125 Dimensions - Cabinet Sizes 4" Deep x 11" High

LENGTH (Inches)	WEIGHT (Lbs.)	WATTS per FOOT AVAILABLE	VOLTS AVAILABLE	PH	LIST
24	20	187 250 333	208 240 277	1	655
36	33				757
48	39				878
60	49				997
72	56				1109

### M4145 Dimensions - Cabinet Sizes 5" Deep x 20" High

LENGTH (Inches)	WEIGHT (Lbs.)	WATTS per FOOT AVAILABLE	VOLTS AVAILABLE	PH	LIST
24	45	187 250 333	208 240 277	1	706
36	53				860
48	63				1042
60	77				1266
72	92				1524
24	47	500 666	208 240 277	1	717
36	57				923
48	67				1126
60	82				1363
72	100				1658
24	49	500 666 750	208 240	3	808
36	60				992
48	71				1209
60	87				1473
72	106				1775
24	49	500 666 750	208 240	3	808
36	60				992
48	71				1209
60	87				1473
72	106				1776

## 4100 Series Recessed Commercial Wall Convectector

### **CABINET:**

4100 series casing shall be of square design with front inlet and outlet grills suitable for recess installation. The cabinet is fabricated from 16 Gauge cold rolled steel and finished with powder coated baked enamel. Junction boxes are available for left or right wiring and connected by pre-wired 40 Amp capacity wireway.

### **ELEMENT:**

All steel high mass element construction with Nickel-Chromium resistance wire embedded in compacted efficient dielectric to ensure proper heat transfer. Aluminum fins mechanically bonded to steel tube allows for increased surface area and even heat transfer.

### **LIMIT CONTROLS:**

Automatic reset hydraulic thermal overload covers full length of heating element and shuts down heater when safe operating temperatures are exceeded.

### **WIRING:**

Wiring connections shall be made in left end of cabinet enclosure. Wiring must enter into control enclosure behind perforated steel grill.

### **CONTROLS:**

All controls are accessible only through control enclosure door. Security type fasteners restrict access to controls. Built in thermostat and disconnect switch with manual adjustment are located in control enclosure.

#### *In-Built Control Options for Single Phase Units*

SUFFIX	DESCRIPTION	LIST
T	In-Built Tamper Proof, Single Pole, Hydraulic Thermostat - 50°-90°F temp. range, 25 Amps	98
T2	In-Built Tamper Proof, Double Pole, Hydraulic Thermostat - 50°-90°F temp. range, 25 Amps	121
R	DPST Relay, 30 Amps, up to 277V, 120V coil	128
R2	SPST Relay, 18 Amps @ 277V (max), 24V coil	136
R9	24V Transformer and SPST Relay, 22 Amps @24V, 18 Amps @ 277V (max), 24V coil	162

Note: No In-Built control options for 3 phase models.

#### *12" Control Section*

UNIT LENGTH	MODEL 4125	LIST	MODEL 4145	LIST
12"	MSE4120-12	75	MSE4140-12	121

Note: Required when relay is ordered.

#### *Solid Back Panel*

UNIT LENGTH	MODEL 4125	LIST	MODEL 4145	LIST
24"	MS4122	61	MS4142	98
36"	MS4123	80	MS4143	108
48"	MS4124	104	MS4144	165
60"	MS4125	126	MS4145	206
72"	MS4126	147	MS4146	239