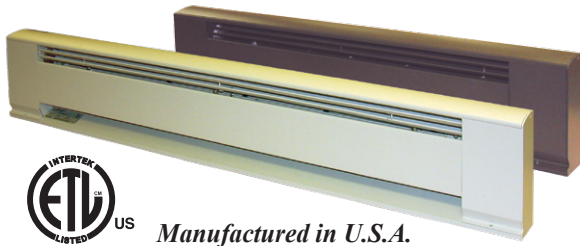


3900 Series Hydronic Electric Baseboard Heater



Manufactured in U.S.A.

- Permanent mount self contained unit.
- Heating elements are immersed in a heat transferring liquid enclosed by a Copper tube casing with Aluminum fins.
- Powder coated 12 Gauge heavy duty extruded Aluminum housing with junction boxes located on each end of the unit.
- Automatic linear limit.
- Wire guard extends along the entire outlet area of the baseboard.
- Commercial Brown unit has in-built wireway.
- Special colors available, consult factory.
- Suitable for high altitude applications.
- 1 Year element warranty.

Standard Models

STANDARD WHITE		COMMERCIAL BROWN		WATTS	BTU's.	VOLTS	AMPS	HEATER LENGTH (IN.)	WT. (LBS)	WHITE LIST	BROWN LIST
UPC 686334	MODEL	UPC 686334	MODEL								
111416	E3904-28	111645	E3904-28C	400	1360	120	3.3	28	16	309	328
111423	F3904-28	111652	F3904-28C	400	1360	208	1.92				
111430	H3904-28	111669	H3904-28C	400/300	1360/1024	240/208	1.6/1.4				
111447	G3904-28	111676	G3904-28C	400	1360	277	1.4				
111454	E3906-36	111683	E3906-36C	600	2048	120	5	36	22	353	376
111461	F3906-36	111690	F3906-36C	600	2048	208	2.9				
111478	H3906-36	111706	H3906-36C	600/450	2048/1536	240/208	2.5/2.2				
111485	G3906-36	111713	G3906-36C	600	2048	277	2.2				
111492	E3910-48	111720	E3910-48C	1000	3413	120	8.3	48	27	411	437
111508	F3910-48	111737	F3910-48C	1000	3413	208	4.8				
111515	H3910-48	111744	H3910-48C	1000/750	3413/2560	240/208	4.2/3.6				
111522	G3910-48	111751	G3910-48C	1000	3413	277	3.6				
111539	E3912-60	111768	E3912-60C	1250	4265	120	10.4	60	33	469	510
111546	F3912-60	111775	F3912-60C	1250	4265	208	6				
111553	H3912-60	111782	H3912-60C	1250/938	4265/3201	240/208	5.2/4.5				
111560	G3912-60	111799	G3912-60C	1250	4265	277	3.6				
111577	E3915-72	111805	E3915-72C	1500	5100	120	12.5	72	41	527	563
111584	F3915-72	111812	F3915-72C	1500	5100	208	7.2				
111591	H3915-72	111829	H3915-72C	1500/1125	5100/3825	240/208	6.3/5.4				
111607	G3915-72	111836	G3915-72C	1500	5100	277	5.4				
111614	F3920-96	111842	F3920-96C	2000	6826	208	9.6	96	58	625	673
111621	H3920-96	111850	H3920-96C	2000/1500	6826/5100	240/208	8.3/7.2				
111638	G3920-96	111867	G3920-96C	2000	6826	277	7.2				

Product Specifications & Dimensions

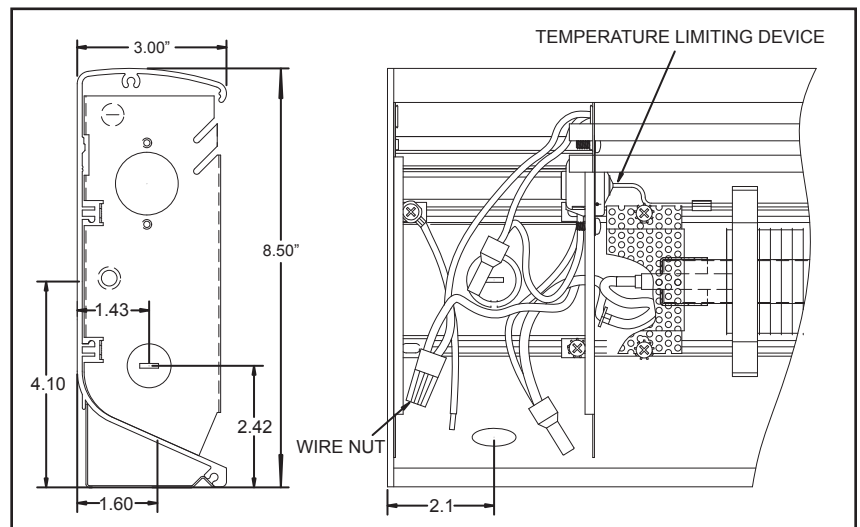
The entire heater casing shall be constructed of 6063 extruded Aluminum, minimum thickness of .100" (12 Gauge) Aluminum shall be acceptable. Outlet grill shall cover entire length of air discharge opening and be constructed of steel. All casing and grill construction shall be painted with high quality durable powder coated paint.

The heating element shall be high quality nichrome wire encased in Magnesium Oxide and sealed in copper tube. The heating element shall be sealed in .312" diameter copper tube and be immersed in heat transfer liquid. Aluminum fins shall be mechanically bonded to the entire heated length of the element for even heat transfer.

Linear automatic thermal limit shall extend the entire heater length of element and protect heater in case of an over-temperature condition.

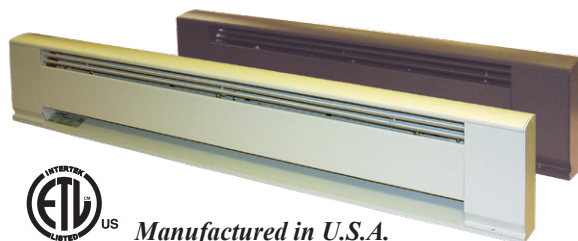
Optional controls shall be mounted in junction box enclosures at either end of heater. Optional integral thermostat shall be located in junction box with adjustment knob or for tamper-proof operation. Optional disconnect switch shall be mounted in junction box. Optional 120 Volt or air conditioning receptacle shall be mounted in junction box. Optional proportional control shall be available with use of R842 relay and T186 microcomputer wall mounted thermostat. The R842 relay shall be mounted in heater junction box.

Optional installation accessories shall include inside and outside corner sections for complete wall perimeter fit. Profile of corners and grill shall have appearance of heat sections for continuous architectural design. Corner accessories and heater sections shall be secured by alignment pins for easy alignment of multiple heater applications.



3700 Series Architectural Style Electric Baseboard Heater

- Available in white or brown with stainless steel heating element and aluminum fins.
- Powder coated 12 Gauge heavy duty extruded Aluminum housing construction with junction boxes located on each end of the unit.
- An automatic thermal linear limit is used along the entire heated length of the unit.
- Wire guard extends along the entire outlet area of the baseboard.
- Special colors available, consult factory.



Manufactured in U.S.A.

Standard Models

Product Specifications

STANDARD WHITE		COMMERCIAL BROWN		WATTS	BTU's	VOLTS	AMPS	HEATER LENGTH (IN.)	WT. (LBS.)	WHITE LIST	BROWN LIST
UPC 686334	MODEL	UPC 686334	MODEL								
116008	E3703-024	116435	E3703-024B	375	1275	120	3.1	24	14	263	274
116015	F3703-024	116442	F3703-024B	375	1275	208	1.8				
116022	H3703-024	116459	H3703-024B	375 / 281	1275 / 955	240 / 208	1.6/1.4				
116039	G3703-024	116466	G3703-024B	375 / 281	1275 / 955	277 / 240	1.6/1.2				
116046	E3705-028	116473	E3705-028B	500	1706	120	4.2	28	16	291	303
116053	F3705-028	116480	F3705-028B	500	1706	208	2.4				
116060	H3705-028	116497	H3705-028B	500 / 375	1706 / 1275	240 / 208	2.1/1.8				
116077	G3705-028	116503	G3705-028B	500 / 375	1706 / 1275	277 / 240	1.8/1.6				
116084	E3706-036	116510	E3706-036B	600	2040	120	5	36	22	337	349
116091	F3706-036	116527	F3706-036B	600	2040	208	2.9				
116107	H3706-036	116534	H3706-036B	600 / 450	2040 / 1530	240 / 208	2.5/2.2				
116114	G3706-036	116541	G3706-036B	600 / 450	2040 / 1530	277 / 240	2.2/1.9				
116121	E3707-040	116558	E3707-040B	750	2550	120	6.3	40	27	343	354
116138	F3707-040	116565	F3707-040B	750	2550	208	3.6				
116145	H3707-040	116572	H3707-040B	750 / 563	2550 / 1914	240 / 208	3.1/2.7				
116152	G3707-040	116589	G3707-040B	750 / 563	2550 / 1914	277 / 240	2.7.2.6				
116169	E3710-048	116596	E3710-048B	1000	3413	120	8.3	48	31	354	366
116176	F3710-048	116602	F3710-048B	1000	3413	208	4.8				
116183	H3710-048	116619	H3710-048B	1000 / 750	3413 / 2550	240 / 208	4.2/3.6				
116190	G3710-048	116626	G3710-048B	1000 / 750	3413 / 2550	277 / 240	3.6/3.1				
116206	G3707-048	116633	G3707-048B	750	2550	277	3.4				
116213	E3712-060	116640	E3712-060B	1250	4250	120	10.4	60	33	464	475
116220	F3712-060	116657	F3712-060B	1250	4250	208	6				
116237	H3712-060	116664	H3712-060B	1250 / 938	4250 / 3189	240 / 208	5.2/4.5				
116244	G3712-060	116671	G3712-060B	1250 / 938	4250 / 3189	277 / 240	4.5/3.9				
116251	G3709-060	116688	G3709-060B	938	3189	277	3.4				
116268	E3715-072	116695	E3715-072B	1500	5100	120	12.5	72	41	520	531
116275	F3715-072	116701	F3715-072B	1500	5100	208	7.2				
116282	H3715-072	116718	H3715-072B	1500 / 1125	5100 / 3825	240 / 208	6.3/4.7				
116299	G3715-072	116725	G3715-072B	1500 / 1125	5100 / 3825	277 / 240	5.4/4.7				
116305	G3711-072	116732	G3711-072B	1125	3825	277	4.1				
116312	F3717-084	116749	F3717-084B	1750	5950	208	8.4	84	49	583	594
116329	H3717-084	116756	H3717-084B	1750 / 1313	5950 / 4464	240 / 208	7.3/6.3				
116336	G3717-084	116763	G3717-084B	1750 / 1313	5950 / 4464	277 / 240	6.3/5.5				
116343	G3713-084	116770	G3713-084B	1313	4464	277	4.7				
116350	F3720-096	116787	F3720-096B	2000	6826	208	9.6	96	58	634	646
116367	H3720-096	116794	H3720-096B	2000 / 1500	6826 / 5100	240 / 208	8.3/7.2				
116374	G3720-096	116800	G3720-096B	2000 / 1500	6826 / 5100	277 / 240	7.2/6.3				
116381	G3715-096	116817	G3715-096B	1500	5100	277	5.4				
116398	F3725-120	116824	F3725-120B	2500	8532	208	12	120	67	692	703
116404	H3725-120	116831	H3725-120B	2500 / 1875	8532 / 6375	240 / 208	10.4/9.0				
116411	G3725-120	116848	G3725-120B	2500 / 1875	8532 / 6375	277 / 240	9.0/7.8				
116428	G3718-120	116855	G3718-120B	1875	6375	277	6.8				

The entire heater casing shall be constructed of 6063 extruded Aluminum. Minimum thickness of .100" (12 Gauge) Aluminum shall be acceptable. Outlet grill shall cover entire length of air discharge opening and be constructed of steel. All casing and grill construction shall be painted with high quality durable powder coated paint.

The heating element shall be high quality nichrome wire encased in Magnesium Oxide and sealed in a stainless steel tube.

Linear automatic thermal limit shall extend the entire heater length of element and protect heater in case of an over-temperature condition.

Optional controls shall be mounted in junction box enclosures at either end of heater. Optional integral thermostat shall be located in junction box with adjustment knob or for tamper-proof operation. Optional disconnect switch shall be mounted in junction box. Optional 120 Volt or air conditioning receptacle shall be mounted in junction box. Optional proportional control shall be available with use of R842 relay and T186 microcomputer wall mounted thermostat. The R842 relay shall be mounted in heater junction box.

Optional installation accessories shall include inside and outside corner sections for complete wall perimeter fit. Profile of corners and grill shall have appearance of heat sections for continuous architectural design. Corner accessories and heater sections shall be secured by alignment pins for easy alignment of multiple heater applications.

NOTE: Refer to 3900 Series for product dimension specifications.

Hydronic & Architectural Electric Baseboard Heater Accessories

Field Installed Accessories

	DESCRIPTION	Standard White		Commercial Brown		LIST
		UPC 686334	MODEL	UPC 686334	MODEL	
	Single Pole, In-Built T-Stat, 22A @ 120-240V; 18A @ 277V; 50°-90° F	111874	3900T1	111959	3900T1C	53
	Double Pole, In-Built T-Stat, 22A @ 120-240V; 18A @ 277V; 50°-90° F	111881	3900T2	111966	3900T2C	70
	Air Conditioning Receptacle Section, 20 Amp @ 125-277V	111898	3900AC	111997	3900ACC	63
	120V. Receptacle Section, 15 Amp	111904	3900REC	112000	3900RECC	59
	Disconnect Switch, 20 Amp @ 125-277VAC; DPST	111942	3900DS	112048	3900DSC	87

Baseboard Relay Control / Electronic Room Sensor Kit Option

	RELAY	ROOM SENSOR	UPC 686334	MODEL	RELAY			ROOM SENSOR			LIST
					VOLTS	AMPS	POLE	VOLTS	TEMP RANGE	DIM. (LxWxD)	
			112383	3900LV120T	120	22	Single	24	40°F to 90°F	3.4" x 5.0" x 1.1"	190
			112390	3900LV208T	208						
			112406	3900LV240T	240						
			112413	3900LV277T	277						

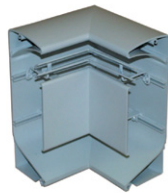
- Unique relay design permits solid state proportional and integral temperature control via the room sensor resulting in exceptional temperature control accuracy.
- Microcomputer relay designed to substantially reduce long time delays and is not affected by heater ambient temperature conditions.
- Room sensor can be directly mounted flush to a vertical surface or standard 2" x 4" electrical mounting enclosure.
- Relay must be mounted in optional control section.

Baseboard Sections

STANDARD WHITE		COMMERCIAL BROWN		DESCRIPTION		LIST
UPC 686334	MODEL	UPC 686334	MODEL	SECTION	SIZE	
112154	39BS28	112215	39BS28C	Blank Section	28"	190
112161	39BS36	112222	39BS36C		36"	226
112178	39BS48	112239	39BS48C		48"	280
112185	39BS60	112246	39BS60C		60"	335
112192	39BS72	112253	39BS72C		72"	386
112208	39BS96	112260	39BS96C		96"	497
115094	39BS120	115100	39BS120C		120"	662
111911	3900-ICS	112017	3900-ICSC		Inside Corner	-
111928	3900-OCS	112024	3900-OCSC	Outside Corner	-	110
111935	3900-CS	112031	3900-CSC	Control Section	4" Blank	138



OUTSIDE CORNER



INSIDE CORNER

Outside and inside corner sections are 6" on longest side

Wireway Covers (White Units Only)

UPC 686334	MODEL	LENGTH	SHIP WT. (LBS)	LIST
112284	3900WW28	28"	2	41
112291	3900WW36	36"	2.5	45
112307	3900WW48	48"	3.5	54
112314	3900WW60	60"	4.5	60
112321	3900WW72	72"	5.5	64
112338	3900WW96	96"	7.5	84
115117	3900WW120	120"	7.5	113

Wireway Length Same As Baseboard Length

Dimension

